



GATE VALVE

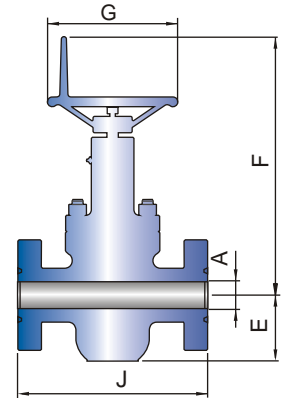
MANUAL GATE VALVE

PARVEEN manufacture Gate valves required for drilling and production operation in Slab and Expanding Gate style.

PARVEEN EXPANDING GATE VALVE MODEL 'M':

EXPANDING STYLE GATE VALVES FOR 2000-5000 PSI. WP. APPLICATION

- Full bore through conduit
- Block and Bleed Mechanism
- Long-life seat
- Positive Seal by expand Mechanism
- In-line maintenance
- Non- Rising and Non- Balanced Stem
- Thrust bearing for the low torque operation

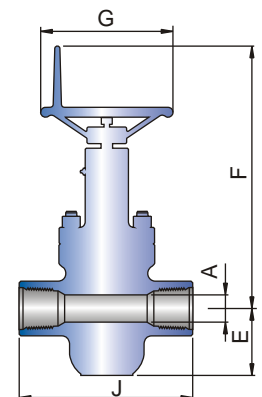


**Flanged Gate Valves
(MODEL - M)**

FLANGED GATE VALVES OVERALL DIMENSIONS (As per API-6A Standard)								
Size	Working Pressure (PSI)	A	E	F	G	J	N	Wt (lbsf)
2 1/16	2000	2 1/16	4 13/16	19 1/4	11	11 5/8	13	91
	3000/5000		5 1/16	19 7/16	13	14 5/8		150
2 9/16	2000	2 9/16	5 5/8	20 3/16	13	13 1/8	15 1/2	125
	3000/5000		5 15/16	20 7/16	16	16 5/8		205
3 1/8	2000	3 1/8	6 15/16	22 1/2	13	14 1/8	20	181
	3000		7 5/16	22 3/4	16	17 1/8		265
	5000		7 5/16	22 3/4	16	18 5/8		296
4 1/16	2000	4 1/16	8 5/8	25 15/16	16	17 1/8	24 1/2	345
	3000		9 1/16	26 3/8	20	20 1/8		515
	5000		9 1/16	26 3/8	20	21 5/8		530

PARVEEN FLANGED GATE VALVE MODEL 'M':

The PARVEEN Flanged end gate valves are of the same standards as threaded end valves. Flanged end will conform to API-6A Spec. For Trims refer Trim Chart.



**Threaded Gate Valves
(MODEL - M)**

THREADED GATE VALVES OVERALL DIMENSIONS								
Size	Working Pressure (PSI)	A	E	F	G	J	N	Wt (lbsf)
2 1/16	2000	2 1/16	4 13/16	19 1/4	11	9 5/8	13	71
	3000/5000		5 1/16	19 7/16	13			99
2 9/16	2000	2 9/16	5 5/8	20 3/16	13	10 1/4	15 1/2	92
	3000/5000		5 15/16	20 7/16	16			125
3 1/8	2000	3 1/8	6 15/16	22 1/2	13	11 3/8	20	152
	3000/5000		7 5/16	22 3/4	16			195
4 1/16	2000	4 1/16	8 5/8	25 15/16	16	13	24 1/2	265
	3000/5000		9 1/16	26 3/8	20			379

NOTE:

Standard Temperature Rating: -20° F to +250° F N = Numbers of Turns open.
All Dimensions are in Inches.

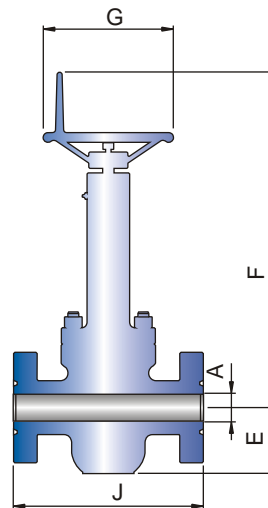


GATE VALVE

Parveen High Temperature Service : (Model T)

Parveen High Temperature gate valve uses parallel expanding gate to obtain perfect shutoff. The sealing is metal - to metal, both on the up and down stream of the valve, and unaffected by vibration and heat. The valve is the standard Model 'E' gate valve, modified with extended bonnet and stem to place the stem packing outside the critical heat zone. Other features and trim chart shall remain same for model E gate valves.

Pressure Derating Table : (As recommended by API 6A)								
-20 to 250 F	300 F	650 F	400 F	450 F	500 F	550 F	600 F	650 F
2000	1955	1905	1860	1810	1735	1635	1540	1430
3000	2930	2860	2785	2715	2605	2455	2310	2145
5000	4880	4765	4645	4525	4340	4090	3850	3575

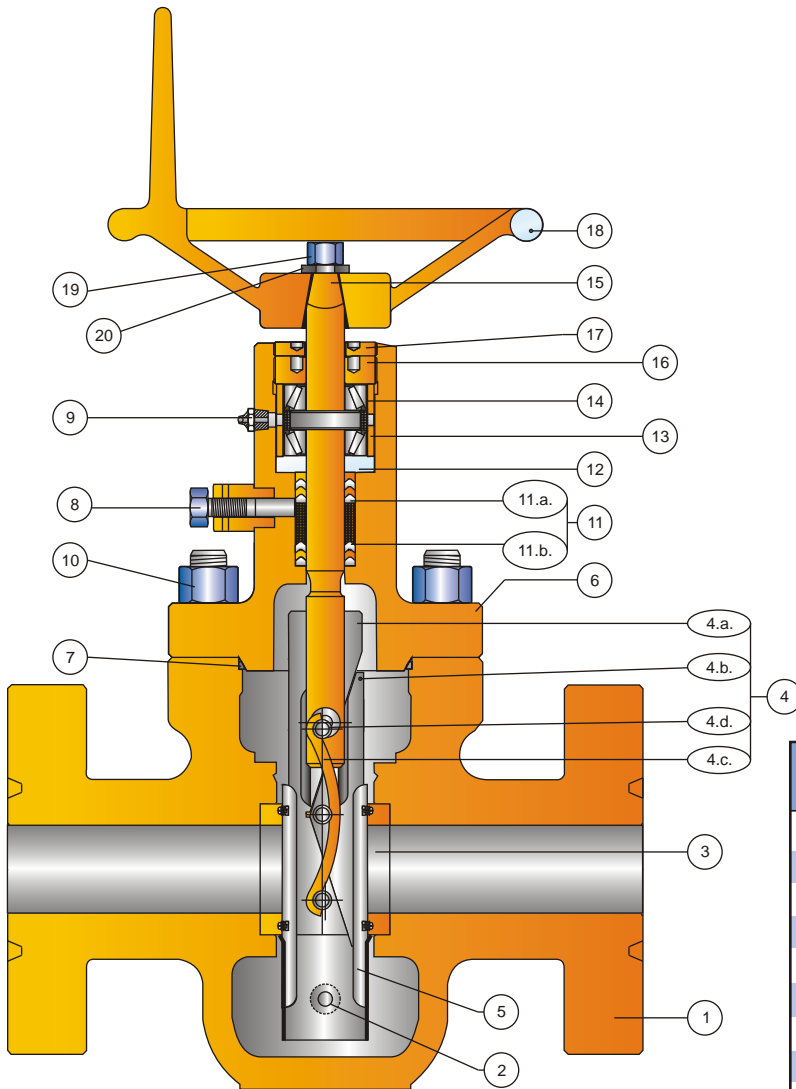


DIMENSIONAL DATA FOR HIGH TEMPERATURE VALVE, UPTO 650 F								
Size	Working Pressure	A	E	F	G	J	N	WT IN LBS
2.1/16"	2000	2.1/16	4.13/16	25.1/4"	11	11.5/8	13	96
	3000/5000			25.7/16				165
2.9/16	2000	2.9/16	5.5/8	26.3/16	13	13.1/8	15.1/2	130
	3000/5000			26.7/16				220
3.1/8	2000	3.1/8	6.15/16	28.1/2	13	14.1/8	20	186
	3000			28.3/4				273
	5000			28.3/4				311
4.1/16	2000	4.1/8	8.5/8	31.15/16	16	17.1/8	24.1/2	351
	3000			32.3/8				523
	5000			32.3/8				545

Flange specification conforms to API Standard 6A



GATE VALVE



Flanged Gate Valve (Model - M)

Part List		
ITEM	DESCRIPTION	Qty.
1	BODY	1
2	BODY GREASE FITTING	2
3	SEAT ASSY.	2
3a	SEAT	2
3b	TEFLON/T.F.E. RING	2
4	GATE SEGMENT ASSY.	1
4a	GATE	1
4b	SEGMENT	1
4c	SPRING	2
4d	GATE PIN	6
5	GATE GUIDE	2
6	BONNET	1
7	BONNET SEAL RING	1
8	PACKING FITTING	1
9	BONNET GREASE FITTING	1
10	STUD WITH NUT	8
11	PACKING SET	6
11a	HEADER PACKING RING	2
11b	'V' PACKING RING	4
12	PACKING RETAINER BUSHING	1
13	BEARING SPACER SLEEVE	1
14	THRUST BEARING	2
15	STEM	1
16	BEARING RETAINER NUT	1
17	BEARING RETAINER LOCK NUT	1
18	HAND WHEEL	1
19	HAND WHEEL NUT	1
20	WASHER FOR HANDWHEEL NUT	1

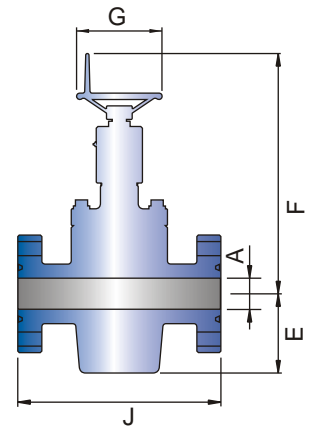


GATE VALVE

SLAB STYLE GATE VALVES FOR 2000-10,000 PSI W.P. APPLICATION

Main features:

- Full bore through conduit
- Block and Bleed Mechanism
- Floating seat with self relief function
- In-line maintenance
- Metal to Metal sealing
- Metal to Metal stem back seat
- Heavy duty bearing for Low torque and easy operation
- Non-Rising and Non-Balanced Stem
- Forged Body and Bonnet Construction



Slab Flanged Gate Valve (Model - S)

FLANGED GATE VALVE OVERALL DIMENSIONS. (As per API. 6A Standard)								
Size	Working Pressure (PSI)	A	E	F	G	J	N	Wt (lbsf)
2 1/16	2000 3000/5000	2 1/16	5 5/8	21 1/8	14	11 5/8 14 5/8	12 1/2	110 182
2 9/16	2000 3000/5000	2 9/16	6 1/2	21 7/8	14	13 1/8 16 5/8	15 1/4	137 255
3 1/8	2000 3000 5000	3 1/8	7 3/8	22 13/16	14 14 18 1/2	14 1/8 17 1/8 18 5/8	18 1/4	193 282 360
4 1/16	2000 3000 5000	4 1/16	9 1/8	24 7/16	16 18 1/2	17 1/8 20 1/8 21 5/8	23 1/2	395 450 545
1 13/16	10,000	1 13/16	5 3/4	21 1/8	14	18 1/4	12 1/2	270
2 1/16	10,000	2 1/16	5 7/8	21 1/8	18 1/2	20 1/2	12 1/2	275
2 9/16	10,000	2 9/16	6 13/16	21 7/8	18 1/2	22 1/4	15 1/4	485
3 1/16	10,000	3 1/16	8 1/16	21 13/16	24	24 3/8	18 1/4	680
4 1/16	10,000	4 1/16	10 1/16	24 11/16	24	26 3/8	23 1/2	1050

NOTE:

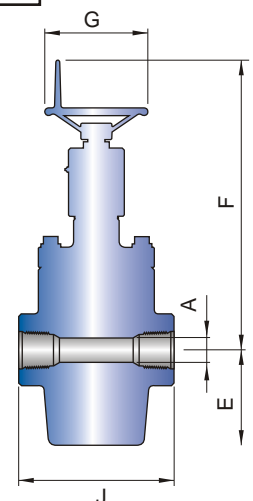
Standard Temperature Rating: - 20° F to + 250° F. N = Numbers of Turn open.

THREADED GATE VALVE OVERALL DIMENSIONS.								
Size	Working Pressure (PSI)	A	E	F	G	J	N	Wt (lbsf)
2 1/16	3000/5000	2 1/16	5 5/8	21 1/8	14	9 5/8	12 1/2	130
2 9/16	3000/5000	2 9/16	6 1/2	21 7/8	14	10 1/4	15 1/4	190
3 1/8	3000	3 1/8	7 3/8	22 13/16	14	11 3/8	18 1/4	210

NOTE:

Standard Temperature Rating: - 20° F to + 250° F. N = Numbers of Turn open.

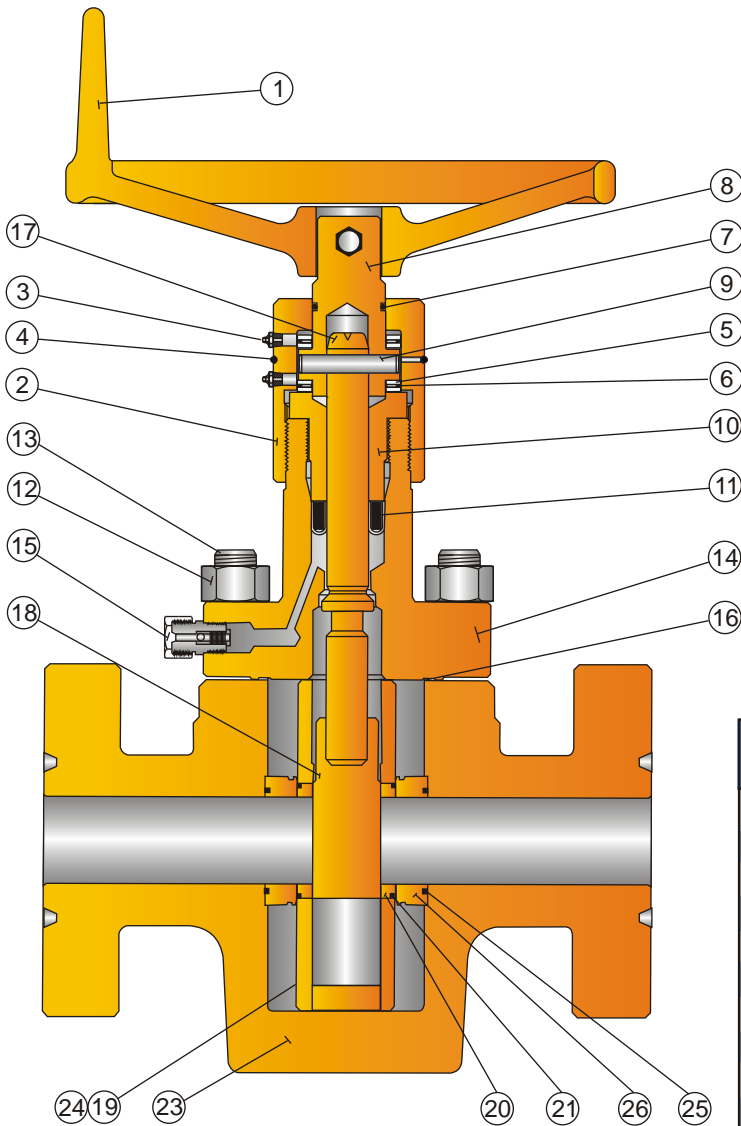
All Dimensions are in Inches.



Slab Threaded Gate Valve (Model - S)



GATE VALVE



Slab Gate Valve (Model - S)

Part List		
ITEM	DESCRIPTION	Qty.
1	HANDWHEEL ASSEMBLY	1
2	BEARING CAP	1
3	GREASE FITTING	2
4	O-RING	1
5	BEARING RACE	4
6	THRUST BEARING	2
7	O-RING	1
8	STEM ADAPTER	1
9	STEM PIN	1
10	PACKING GLAND	1
11	'J' PACKING	1
12	NUT	8
13	STUD	8
14	BONNET	1
15	GREASE FITTING	1
16	GASKET	1
17	STEM	1
18	GATE	1
19	RETAINER PLATE	2
20	SEAT RING	2
21	SEAL RING (SEAT RING)	2
22	PIN (Not shown)	2
23	BODY	1
24	GUIDE	2
25	SEAL RING (BODY BUSHING)	2
26	BODY BUSHING	2
27	NAME PLATE (Not shown)	1