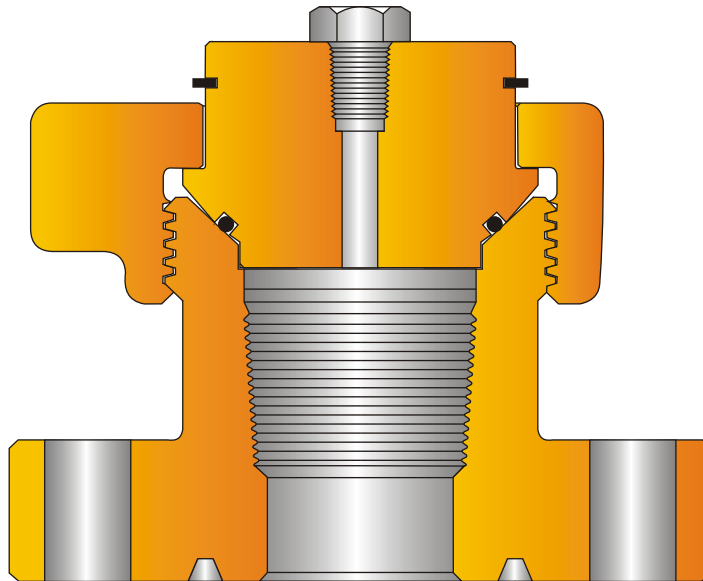




X-MAS TREE CAP

PARVEEN X-Mas Tree cap is a top connector which is used on the top of X-Mas Tree, It's main function is to provide access to the X-Mas Tree bore. It is basically consisting of a Flanged body, Blanking Plug, Hammer Nut as principal parts and Circlip & O-ring as secondary parts. Blanking Plug has a provision to accommodate pressure gauge to ascertain inside pressure of the well. Inside of Flanged body is having API-UP TBG thread as lift thread.



Single Christmas Tree Cap

SPECIFICATIONS			
Nominal Size and WP.	Lift Thread	Bore	Height
2 1/16-2000	2 3/8 API UP TBG	2 21/64	7 1/8
2 9/16-2000	2 7/8 API UP TBG	2 53/64	7 1/16
3 1/8-2000	3 1/2 API UP TBG	3 1/8	9 9/16
3 1/8-3000	3 1/2 API UP TBG	3 1/8	9 13/16
2 1/16-5000	2 3/8 API UP TBG	2 21/64	7 3/4
2 9/16-5000	2 7/8 API UP TBG	2 53/64	8 1/16
3 1/8-5000	3 1/2 API UP TBG	3 1/8	10 1/16
4 1/16-5000	4 1/2 API UP TBG	4 13/64	12 1/8
2 1/16-10000	2 3/8 API UP TBG	2 1/16	8
2 9/16-10000	2 7/8 API UP TBG	2 9/16	7 9/16
3 1/16-10000	3 1/2 API UP TBG	3 1/16	10 5/16
4 1/16-10000	4 1/2 API UP TBG	4 1/16	13 1/8

NOTE:

All Dimensions are in inches.