

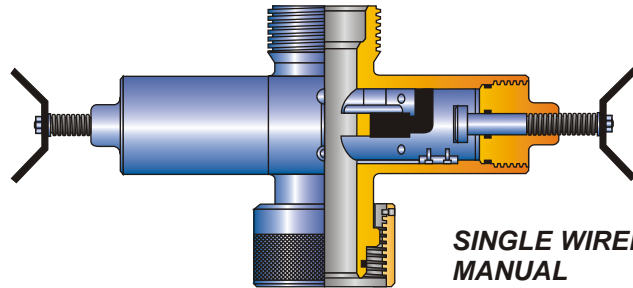


BLOWOUT PREVENTERS

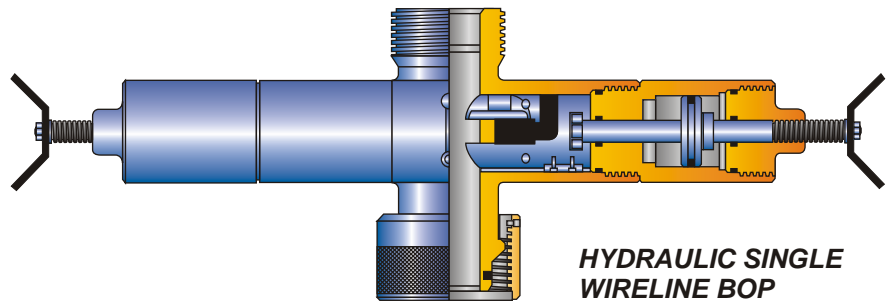
PARVEEN Blowout Preventers are designed to give positive protection against blow outs when operating with wireline in well services work, by providing a positive seal around wireline.

This BOP's are available basically in two types: Hydraulically Operated and Manually Operated, with configurations as desired. An equalizer valve allows the operator to equalize the pressure with lubricator pressure.

PARVEEN Blow Out Preventers are available in sizes ranging from 2-1/2" ID through 6-3/8" ID and 3000 PSI through 15,000 PSI working pressure. Contact factory for details on pump, fittings, hoses and other accessories.



**SINGLE WIRELINE BOP
MANUAL**



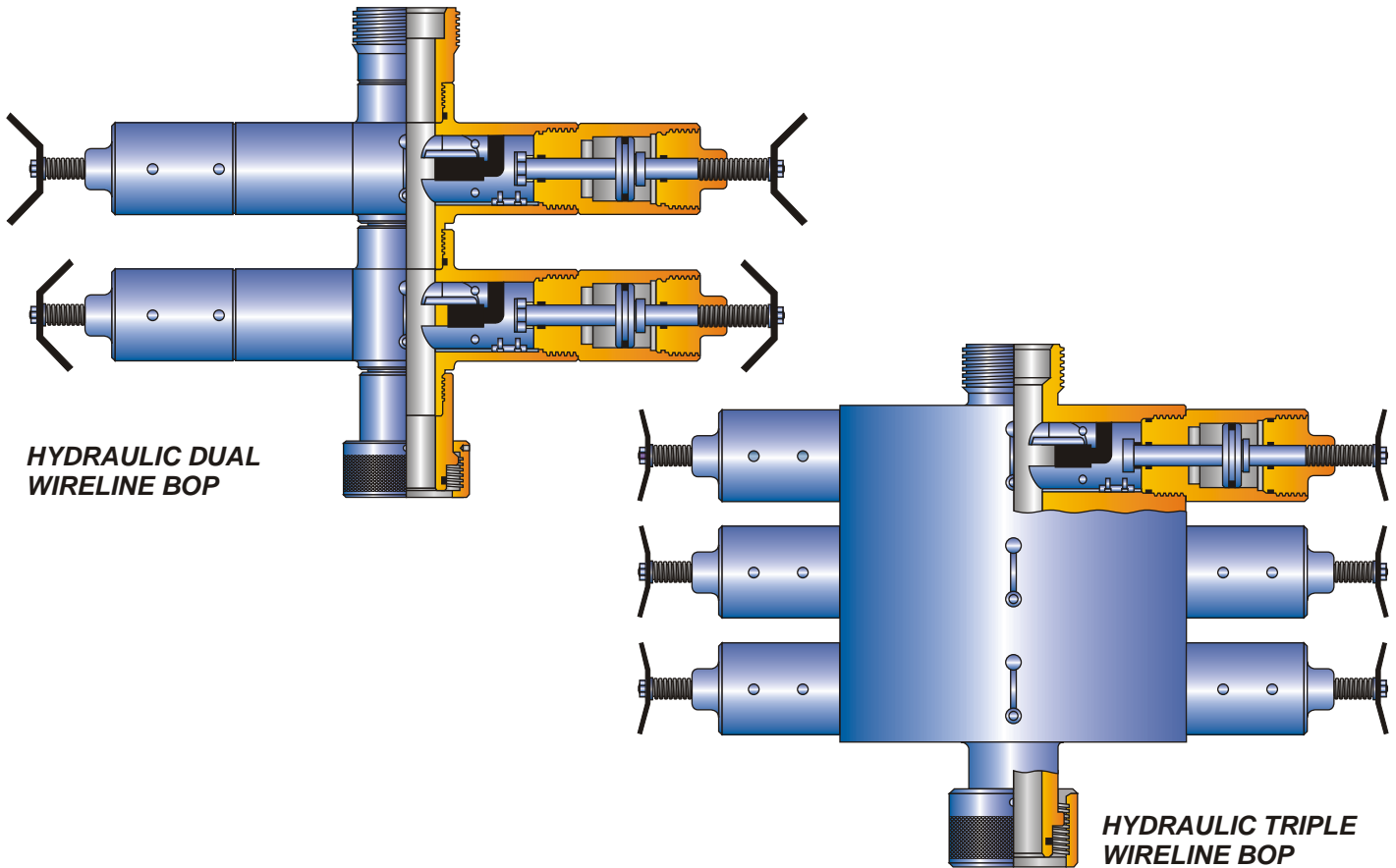
**HYDRAULIC SINGLE
WIRELINE BOP**

Engineering Data for Manual and Hydraulic Wireline Blowout Preventer

| TYPE | I.D. (INCH) | W.P. (PSI) | PART NO. (MANUAL) | PART NO. (HYDRAULIC) |
|---------|-------------|------------|-------------------|----------------------|
| SINGLE | 2.50 | 5,000 | 012563X-00 | 012563X-H00 |
| SINGLE | 2.50 | 10,000 | 012100-X00 | 012100X-H00 |
| SINGLE | 2.50 | 15,000 | ----- | 012410X-H00 |
| TWIN | 2.50 | 5,000 | 022563X-00 | 022563X-H00 |
| TWIN | 2.50 | 10,000 | 022100X-00 | 022100X-H00 |
| TRIPPLE | 2.50 | 5,000 | 032563X-00 | 032563X-H00 |
| TRIPLE | 2.50 | 10,000 | 032100X-00 | 032100X-H00 |
| TRIPPLE | 2.50 | 15,000 | 032410X-00 | 032410X-H00 |
| QUAD | 2.50 | 5,000 | 042563X-00 | 042563X-H00 |
| QUAD | 2.50 | 10,000 | 042100X-00 | 042100X-H00 |
| SINGLE | 3.00 | 5,000 | 013500X-00 | 013500X-H00 |
| SINGLE | 3.00 | 10,000 | 013137X-00 | 013137X-H00 |
| TWIN | 3.00 | 5,000 | 023500X-00 | 023500X-H00 |
| TWIN | 3.00 | 10,000 | 023137X-00 | 023137X-H00 |
| TRIPPLE | 3.00 | 5,000 | 033500X-00 | 033500X-H00 |
| TRIPPLE | 3.00 | 10,000 | 033137X-00 | 033137X-H00 |
| QUAD | 3.00 | 5,000 | 043500X-00 | 043500X-H00 |
| QUAD | 3.00 | 10,000 | 043137X-00 | 043137X-H00 |
| SINGLE | 4.00 | 5,000 | 014564X-00 | 014564X-H00 |
| SINGLE | 4.00 | 10,000 | 014103X-00 | 014103X-H00 |



BLOWOUT PREVENTERS



HYDRAULIC DUAL WIRELINE BOP

HYDRAULIC TRIPLE WIRELINE BOP

Engineering Data for Manual and Hydraulic Wireline Blowout Preventer

| TYPE | I.D. (INCH) | W.P. (PSI) | PART NO. (MANUAL) | PART NO. (HYDRAULIC) |
|--------|-------------|------------|-------------------|----------------------|
| TWIN | 4.00 | 5,000 | 024564X-00 | 024564X-H00 |
| TWIN | 4.00 | 10,000 | 024103X-00 | 024103X-H00 |
| TRIPLE | 4.00 | 5,000 | 034564X-00 | 034564X-H00 |
| TRIPLE | 4.00 | 10,000 | 034103X-00 | 034103X-H00 |
| QUAD | 4.00 | 5,000 | 044564X-00 | 044564X-H00 |
| QUAD | 4.00 | 10,000 | 044103X-00 | 044103X-H00 |
| SINGLE | 5.00 | 5,000 | 015565X-00 | 015565X-H00 |
| SINGLE | 5.00 | 10,000 | 015111X-00 | 015111X-H00 |
| TWIN | 5.00 | 5,000 | 025565X-00 | 025565X-H00 |
| TWIN | 5.00 | 10,000 | 025111X-00 | 025111X-H00 |
| TRIPLE | 5.00 | 5,000 | 035565X-00 | 035565X-H00 |
| TRIPLE | 5.00 | 10,000 | 035111X-00 | 035111X-H00 |
| QUAD | 5.00 | 5,000 | 045565X-00 | 045565X-H00 |
| QUAD | 5.00 | 10,000 | 045111X-00 | 045111X-H00 |
| SINGLE | 6.38 | 5,000 | 700-200-638-2000 | 700-200-638-1000 |
| TWIN | 6.38 | 5,000 | 700-300-638-2000 | 700-300-638-1000 |
| TRIPLE | 6.38 | 5,000 | 700-200-638-3000 | 700-200-638-3001 |
| QUAD | 6.38 | 5,000 | 700-200-638-4000 | 700-200-638-4001 |

Top & Bottom Conn : To Select From Quick Identification Chart Page No. 39 & 40