

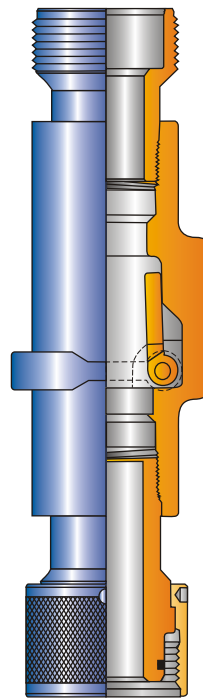


## TOOL TRAPS

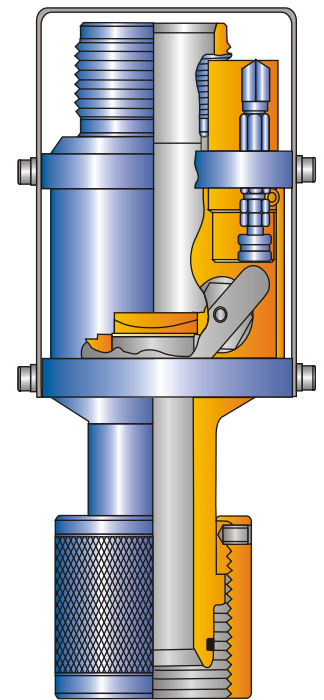
PARVEEN Tool Traps are available in both hydraulically operated and manually operated models. These tool traps are designed to be installed at the bottom of a lubricator or wellhead setup and prevents the loss of a wireline tool in case the Rope Socket accidentally stripped off. Contact factory for details on pump, fittings, hoses and other accessories.

### HYDRAULIC TOOL TRAP

Engineering Data for Hydraulic Tool Trap			
SERVICE	I. D. (INCH)	W.P. (PSI)	PART NO.
STD	2.50	5,000	06251-H
STD	3.00	5,000	06351-H
H2S	2.50	5,000	06250-H
H2S	3.00	5,000	06350-H
STD	2.50	10,000	601251
STD	3.00	10,000	60448
H2S	2.50	15,000	06240-H
H2S	2.50	10,000	69969
H2S	3.00	10,000	06310-H
STD	4.00	5,000	06451-H
H2S	4.00	5,000	06450-H
H2S	3.00	15,000	06340-H
STD	4.00	10,000	06411-H
H2S	4.00	10,000	06410-H
STD	5.00	5,000	06551-H
STD	5.00	10,000	06511-H
STD	6.38	5,000	06951-H
H2S	5.00	5,000	06550-H
H2S	5.00	10,000	06510-H
H2S	4.00	15,000	06440-H



*Manual Tool Trap*



*Hydraulic Tool Trap*

Top & Bottom : To Select From Quick Union Identification Chart Page No. 39 & 40

### MANUAL TOOL TRAP

Engineering Data for Manual Tool Trap				
SERVICE	I.D. (INCH)	W.P. (PSI)	TOP & BOTTOM CONN.	PART NO.
STD	2.50	5,000	To select from Q.U. Identification chart page no. 39 & 40	6220
STD	3.00	5,000		62460
STD	4.00	5,000		6600
STD	5.00	5,000		61650
STD	6.38	5,000		06951