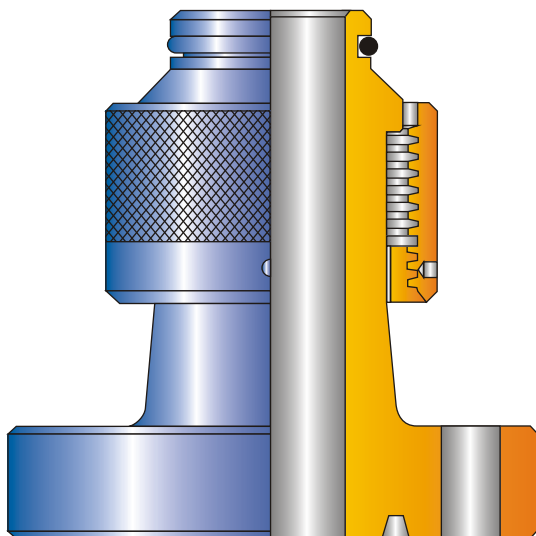
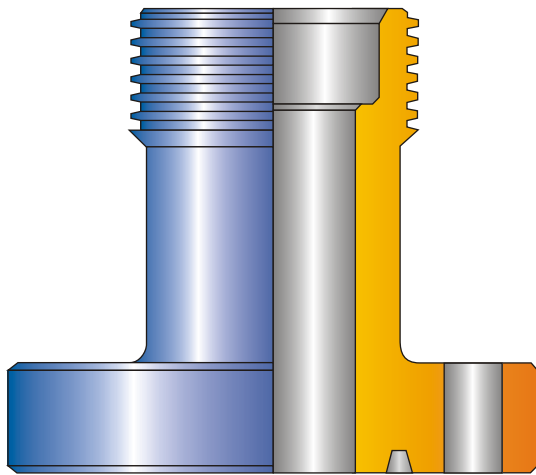




WELLHEAD FLANGE ADAPTERS

PARVEEN Wellhead Flange Adapters are designed to be used in the upper most position on API Wellheads and therefore enable wireline and other well service operations to be performed through the wellhead into well bore.

PARVEEN Wellhead Adapters are available in various bore sizes and with quick union connections compatible with Bowen and Otis type quick unions. Additionally, flange/Adapters are supplied for standard or H2S Service and working pressure upto 15,000 PSI.



FLANGE ADAPTER

Engineering Data for Wellhead Flange Adapters			
SERVICE	I.D. (INCH)	W.P. (PSI)	PART NO.
H2S	2.06	5,000	5115XX0
STD	2.06	10,000	5111XX1
H2S	2.50	5,000	5125XX0
STD	2.50	10,000	5121XX1
H2S	3.00	5,000	5135XX0
STD	3.00	10,000	5131XX1
H2S	2.56	5,000	51115XX0
STD	2.56	10,000	51111XX1
STD	2.06	15,000	5114XX1
STD	2.50	15,000	5124XX1
H2S	2.06	10,000	5111XX0
H2S	2.50	10,000	5121XX0
H2S	2.56	10,000	51111XX0
H2S	3.00	5,000	5131XX0
H2S	3.06	5,000	51125XX0
H2S	3.12	15,000	51135XX0
H2S	2.06	15,000	5114XX0
H2S	2.50	15,000	5124XX0
H2S	3.00	10,000	5134XX0
H2S	3.06	10,000	51121XX0
H2S	4.00	5,000	5141XX0
STD	2.06	5,000	5115XX1
STD	2.50	5,000	5125XX1
STD	3.00	5,000	5135XX1
STD	3.12	10,000	51135XX1
STD	3.06	5,000	51121XX1
STD	4.00	5,000	5145xx1
STD	4.00	10,000	5141xx1

- ! Quick Union Size: To Select From Quick Union Identification Chart Page No. 39 & 40
- ! Flange Size & Type: Customer to Specify as per API 6A
- ! Other Size Available on Request