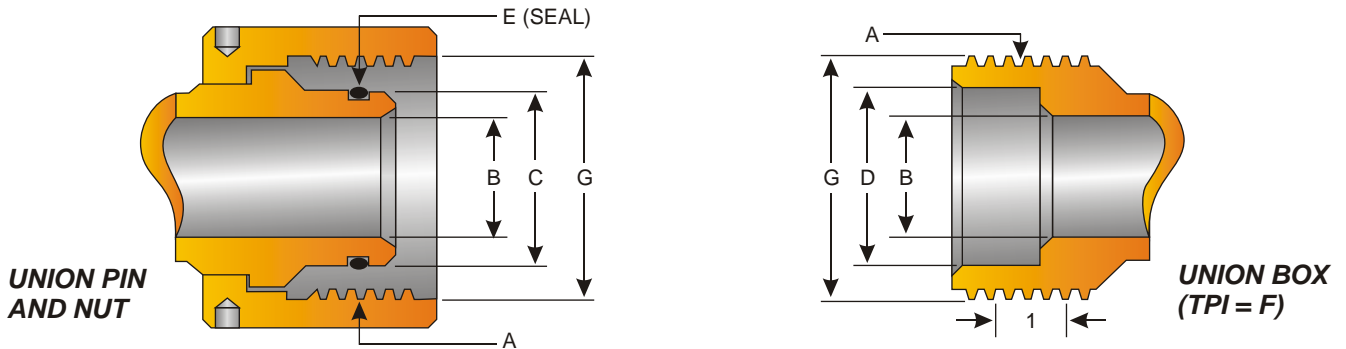




## QUICK UNION

PARVEEN Quick Union Connections are used to assemble lubricators and related equipment and they are designed to be assembled by hand. Otis type and Bowen Type designs are commonly used.

A O-Ring on the pin section forms the seal when made up into the box. The collar has an internal ACME threads to match the external threads on the box. This threads mix-up quickly by hand.



PARVEEN QUICK UNION IDENTIFICATION CHART									
PARVEEN (A)	W.P.(PSI)	SERV	B	C	D	E	F	G	PART NO.
5.000-4 ACME TYPE O	5000	STD	2.50 3.00	3.494	3.5	50236	4	5.000	440100
5.000-4-ACNE TYPE O	10,000	STD	2.50 3.00	3.494	3.5	50338	4	5.000	440100
5.000-4 ACME TYPE O	15,000	STD	2.50	3.494	3.5	50338*	4	5.000	440101
5.750-4 ACME TYPE O	5,000 10,000	H2S	2.50 3.00	3.994	4.00	50342*	4	5.750	440200
6.250-4 ACME TYPE O	15,000	H2S	2.50	3.994	4.00	50342*	4	6.250	440301
6.500-4 ACME TYPE O	5,000 10,000	STD	4.00	4.744	4.750	50348	4	6.500	440400
7.500-4 ACME TYPE O	15,000	H2S	3.00	5.494	5.500	50354*	4	7.500	440701
8.250-4 ACME TYPE O	5,000 10,000	STD	5.00	6.182	6.188	50435	4	8.250	440800
8.375-A ACME TYPE O	5,000 10,000	H2S	4.00	5.244	5.250	50427	4	8.375	440900
8.750-4 ACME TYPE O	5,000	STD	6.38	7.494	7.500	50441	4	8.750	441100
9.000-4 ACME TYPE O	5,000 10,000	H2S	5.00	6.744	6.750	50438	4	9.000	441200
9.500-4 ACME TYPE O	15,000	H2S	4.00	6.244	6.250	50435*	4	9.500	441601
9.500-4 ACME TYPE O	5,000	H2S	6.38	7.994	8.000	50443	4	9.500	441400
11.500-4 ACME TYPE O	10,000	H2S	6.38	8.244	8.250	50444	4	11.500	441800

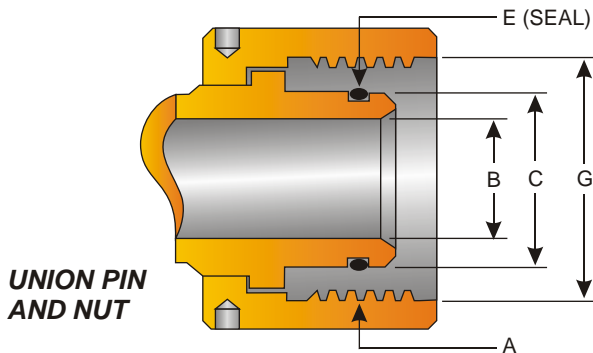


**\* SEAL GROOVE  
WILL HAVE THIS  
CONFIGURATION**

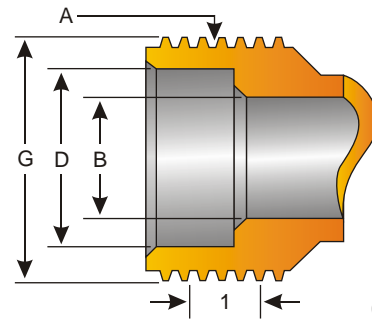
PARVEEN Type O Union Are Interchangeable With Otis Union



## QUICK UNION



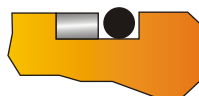
**UNION PIN AND NUT**



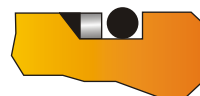
**UNION BOX  
(TPI = F)**

<b>PARVEEN QUICK UNION IDENTIFICATION CHART</b>									
<b>PARVEEN (A)</b>	<b>W.P. (PSI)</b>	<b>SERV.</b>	<b>B</b>	<b>C</b>	<b>D</b>	<b>E</b>	<b>F</b>	<b>G</b>	<b>PART NO</b>
4.750-4 ACME TYPE B	5,000	STD H2S	2.50 3.00	3.744	3.750	50340	4	4.750	440110
4.750-4 ACME TYPE B	10,000	STD	2.50 3.00	3.744	3.750	50340*	4	4.750	440111
5.500-4 ACME TYPE B (DL)	5,000	STD H2S	3.00	4.369	4.375	50345*	4	5.500	440211
5.500-4 ACME TYPE B (DL)	10,000	STD	3.00	4.369	4.375	50345*	4	5.500	440211
6.312-4 ACME TYPE B	10,000	H2S	2.50 3.00	4.369	4.375	50345**	4	6.312	440311
6.312-4 ACME TYPE B	15,000	STD	2.50	4.369	4.375	50345*	4	6.312	440312
6.312-4 ACME TYPE B	15,000	H2S	2.50	3.744	3.750	50340**	4	6.312	44012
7.000-5 SA TYPE B	5,000	STD H2S	4.00	5.244	5.250	50427	5	7.000	440510
7.093-4 ACME TYPE B	15,000	STD H2S	3.00	4.744	4.750	50348**	4	7.093	440612
8.250-4 ACME TYPE B (DL)	10,000	STD H2S	4.00	5.994	6.000	50358*	4	8.250	440811
8.250-4 ACME TYPE B (DL)	5,000	STD H2S	5.00	6.744	6.750	50438	4	8.250	440710

PARVEEN Type B Union Are Interchangeable With Bowen Unions.



**\* SEAL GROOVE  
WILL HAVE THIS  
CONFIGURATION**



**\*\* SEAL GROOVE  
WILL HAVE THIS  
CONFIGURATION**