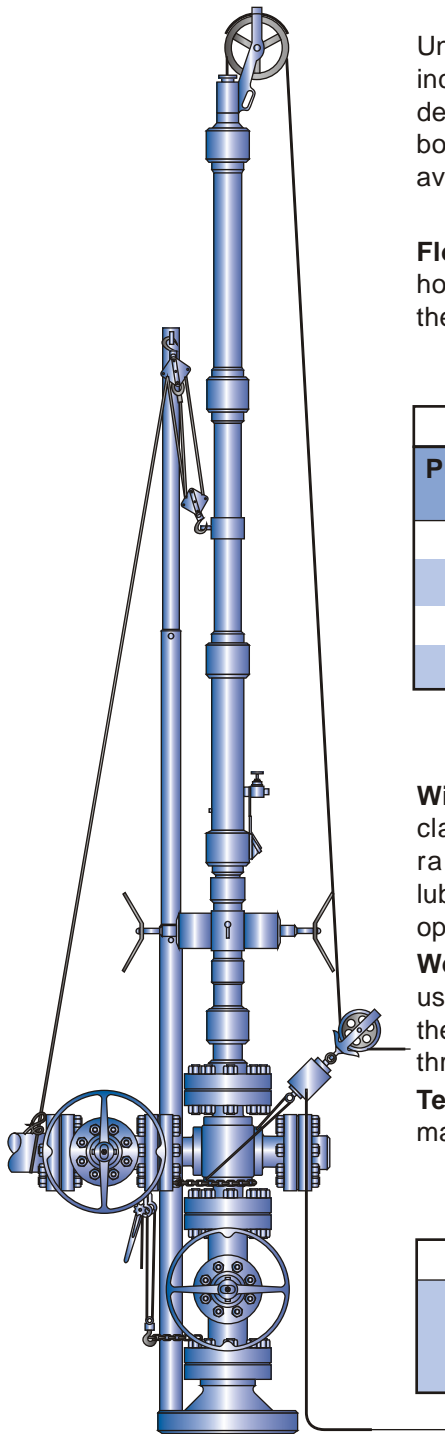




## LUBRICATOR ACCESSORIES



Union Cross Over Adapters can be utilized to provide transition between otherwise incompatible unions made by same or different manufacturers. These adapters are designed with a Union Box Up and Union Pin & Collar Down and are always rated, both in terms of service and pressure. Any combination of end connections are available upon request.

**Floor Block (Hay Pulley)** is used to bring the wireline down to a position where it is horizontal from the tree to the wireline rig. It also shifts the point of wireline pull from the top of lubricator to the base of tree and reduces side loading of the lubricator.

Engineering Data for Hay Pulley				
Pulley Dia (IN)	Groove Dia	Type Connection	Safe Working Load (lbs)	Part No.
7	Customer to specify	Swivel Hanger	3,000	330700
10		Swivel Hanger	5,000	331000
12		Swivel Hanger	5,000	331200
14		Swivel Hanger	5,000	331400

**Wireline Clamp** is used to clamp the wireline while raising or lowering the lubricator or during fishing operations.

Assembly No.	Description
15XXX00	For all sizes of smooth wireline for 3/16-in and ¼- braided wireline
15XXX10	

**Wellhead Connection** is

used to connect the bottom of the wireline valve to the top tree connections. The top of the connection fits the bottom of valve and the bottom thread of connection is threaded to screw into the particular threads on top of the tree flange connections.

**Telescopic Gin Pole** is used to rise the lubricator to the top of the wireline valve and maintain this position while breaking off or making up wireline tool string.

Assembly No.	Description
38XXX10	Steel for standard weight lubricators
38XXX00	Aluminium for standard weight lubricators
38XXX20	Steel for standard weight, high-pressure lubricators

**Load Binder and Chain** are used to bind the gin pole to the tree and to the wireline valve.

**Rope Blocks** are used to raise and lower the lubricator.

**Lubricator Pick-Up Clamp** is used to hook rope block to pick up lubricator.

**Pump - In - Subs and Plug Valves** are used to pressurize the lubricator during hydrostatic testing or pumping in to the well bore when that become necessary during the course of servicing operations. Models with WP. above 5,000 PSI are equipped with specially designed side ports and accept plug valves with integral unions. Plug Valves are available separately and as a component of Pump-in-Subs.

Fitted with a variety of Top and Bottom Connection, - Quick Union connections being most common, - these assemblies are available from 2.50 ID. inch through 6.38" ID. with WP from 3,000 PSI through 15,000 PSI.