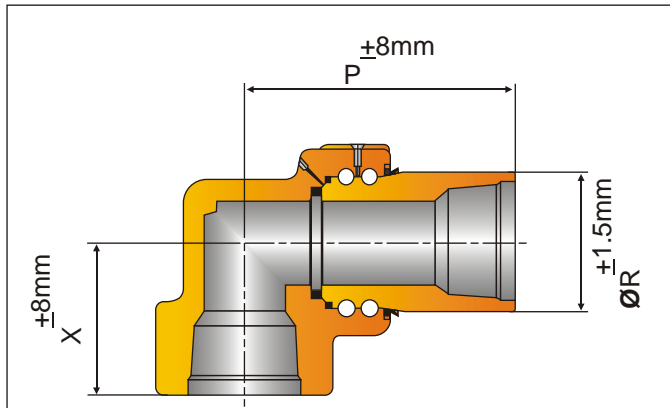




SHORT SWEEP SWIVEL JOINT (BASIC DIMENSIONS) STYLE-30

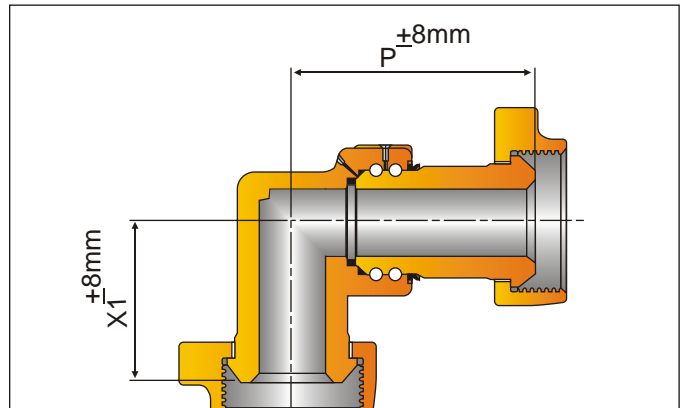


STYLE - 30 SHORT SWEEP SWIVEL JOINT

END CONNECTION = LP THREAD

MODEL:- PSSSJ - 30T

| SIZE | P (MM) | P (INCH) | ØQ (MM) | ØQ (INCH) | R (MM) | R (INCH) | WT. (LBSF) | WT. (KGF) |
|--------|-----------|-------------|------------|--------------|-----------|-------------|---------------|--------------|
| 1" | 118 | 4.65 | 72 | 2.83 | 49 | 1.92 | 5.80 | 2.63 |
| 1 1/2" | 121 | 4.76 | 75 | 2.95 | 61 | 2.40 | 7.82 | 3.55 |
| 2" | 150 | 5.90 | 98 | 3.86 | 78 | 3.07 | 18.0 | 8.15 |
| 2 1/2" | 182 | 7.16 | 120 | 4.72 | 90 | 3.54 | 24.80 | 11.25 |
| 3" | 220 | 8.66 | 128 | 5.04 | 108 | 4.25 | 46.84 | 21.25 |
| 4" | 252 | 9.92 | 158 | 6.22 | 132 | 5.19 | 64.81 | 29.4 |

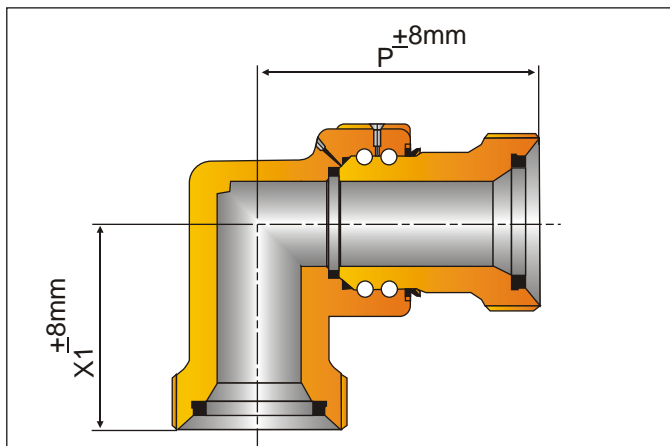


STYLE - 30 SHORT SWEEP SWIVEL JOINT

END CONNECTION = UNION (M X M) FIG.602/1002/1502

MODEL:- PSSSJ - 30MM

| SIZE | P (MM) | P (INCH) | X1 (MM) | X1 (INCH) | WT. (LBSF) | WT. (KGF) |
|--------|-----------|-------------|------------|--------------|---------------|--------------|
| 1" | 118 | 4.65 | 153 | 6.02 | 10.7 | 4.85 |
| 1 1/2" | 121 | 4.76 | 165 | 6.50 | 17.64 | 8.00 |
| 2" | 150 | 5.90 | 198 | 7.80 | 37.14 | 16.85 |
| 2 1/2" | 182 | 7.16 | 233 | 9.17 | 46.74 | 21.20 |
| 3" | 220 | 8.66 | 271 | 10.67 | 68.68 | 31.15 |
| 4" | 252 | 9.92 | 306 | 12.05 | 104.38 | 47.35 |

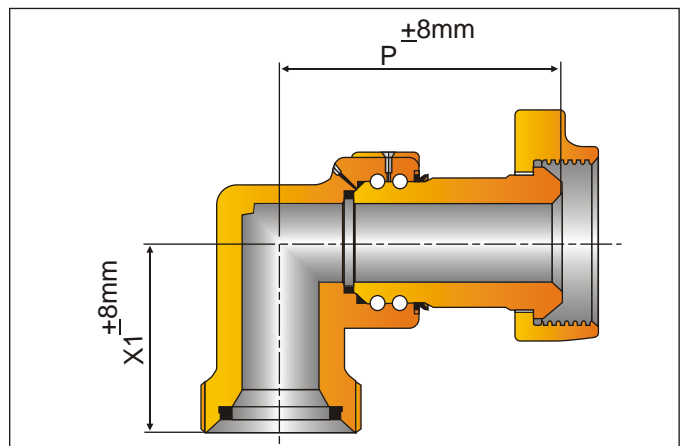


STYLE - 30 SHORT SWEEP SWIVEL JOINT

END CONNECTION = UNION (F X F) FIG.602/1002/1502

MODEL:- PSSSJ - 30FF

| SIZE | P (MM) | P (INCH) | X1 (MM) | X1 (INCH) | WT. (LBSF) | WT. (KGF) |
|--------|-----------|-------------|------------|--------------|---------------|--------------|
| 1" | 118 | 4.65 | 153 | 6.02 | 9.20 | 4.17 |
| 1 1/2" | 121 | 4.76 | 165 | 6.50 | 10.50 | 4.75 |
| 2" | 150 | 5.90 | 198 | 7.80 | 23.14 | 10.5 |
| 2 1/2" | 182 | 7.16 | 233 | 9.17 | 40.78 | 18.5 |
| 3" | 220 | 8.66 | 271 | 10.67 | 60.62 | 27.5 |
| 4" | 252 | 9.92 | 306 | 12.05 | 90.16 | 40.9 |



STYLE - 30 SHORT SWEEP SWIVEL JOINT

END CONNECTION = UNION (M X F) FIG.602/1002/1502

MODEL:- PSSSJ - 30MF

| SIZE | P (MM) | P (INCH) | X1 (MM) | X1 (INCH) | WT. (LBSF) | WT. (KGF) |
|--------|-----------|-------------|------------|--------------|---------------|--------------|
| 1" | 118 | 4.65 | 153 | 6.02 | 10.6 | 4.8 |
| 1 1/2" | 121 | 4.76 | 165 | 6.50 | 14.66 | 6.65 |
| 2" | 150 | 5.90 | 198 | 7.80 | 31.41 | 14.25 |
| 2 1/2" | 182 | 7.16 | 233 | 9.17 | 45.63 | 20.70 |
| 3" | 220 | 8.66 | 271 | 10.67 | 66.58 | 30.20 |
| 4" | 252 | 9.92 | 306 | 12.05 | 100.00 | 45.20 |