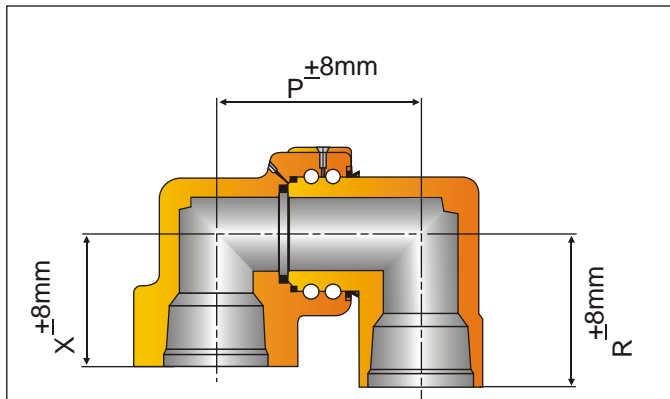




SHORT SWEEP SWIVEL JOINT (BASIC DIMENSIONS) STYLE-40

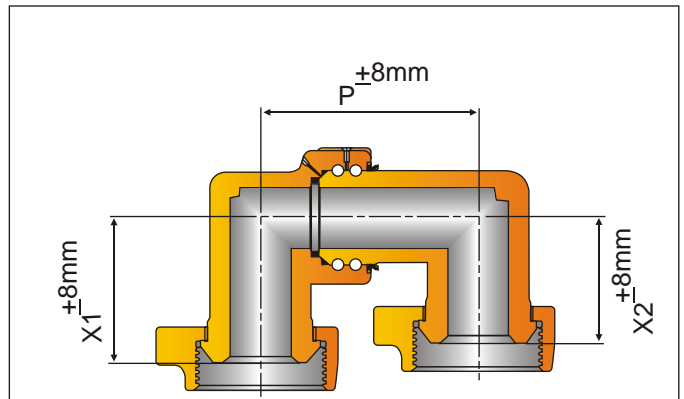


STYLE - 40 SHORT SWEEP SWIVEL JOINT

END CONNECTION = LP THREAD

MODEL:- PSSSJ - 40T

SIZE	P (MM)	P (INCH)	X (MM)	X (INCH)	R (MM)	R (INCH)	WT. (LBSF)	WT. (KGF)
1"	108	4.25	72	2.83	70	2.75	6.92	3.14
1 1/2"	110	4.33	75	2.95	90	3.54	10.36	4.70
2"	152	5.98	98	3.86	110	4.33	24.25	11.0
2 1/2"	195	7.67	120	4.72	130	5.11	33.62	15.25
3"	202	7.95	128	5.03	110	4.33	52.91	24.0
4"	260	10.23	158	6.22	130	5.11	82.67	37.5

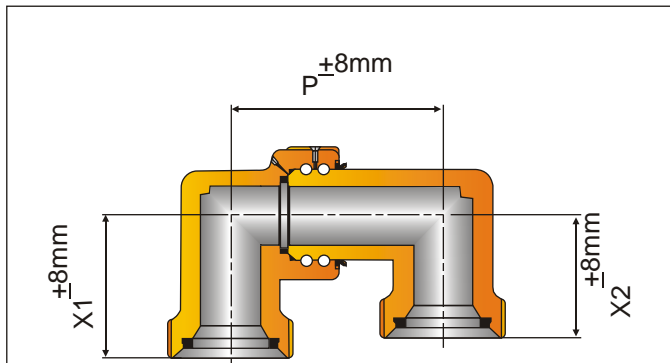


STYLE - 40 SHORT SWEEP SWIVEL JOINT

END CONNECTION = UNION (M X M) FIG.602/1002/1502

MODEL:- PSSSJ - 40MM

SIZE	P (MM)	P (INCH)	X1 (MM)	X1 (INCH)	X2 (MM)	X2 (INCH)	WT. (LBSF)	WT. (KGF)
1"	108	4.25	153	6.02	118	4.65	12.34	5.6
1 1/2"	110	4.33	165	6.50	121	4.75	18.52	8.4
2"	152	5.98	198	7.80	150	5.90	45.0	20.4
2 1/2"	195	7.67	233	9.17	182	7.16	58.00	26.3
3"	202	7.95	271	10.67	220	8.66	79.00	35.8
4"	260	10.23	306	12.05	252	9.92	131.20	59.5

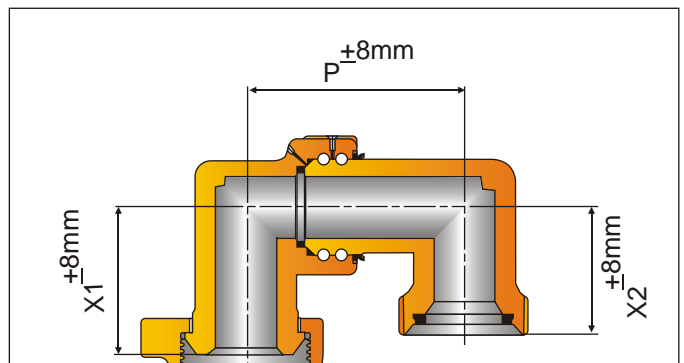


STYLE - 40 SHORT SWEEP SWIVEL JOINT

END CONNECTION = UNION (F X F) FIG.602/1002/1502

MODEL:- PSSSJ - 40FF

SIZE	P (MM)	P (INCH)	X1 (MM)	X1 (INCH)	R (MM)	R (INCH)	WT. (LBSF)	WT. (KGF)
1"	108	4.25	153	6.02	118	4.65	10.91	4.95
1 1/2"	110	4.33	165	6.50	121	4.75	14.0	6.35
2"	152	5.98	198	7.80	150	5.90	32.0	14.5
2 1/2"	195	7.67	233	9.17	182	7.16	53.0	24.0
3"	202	7.95	271	10.67	220	8.66	78.3	35.5
4"	260	10.23	306	12.05	252	9.92	124.0	56.25



STYLE - 40 SHORT SWEEP SWIVEL JOINT

END CONNECTION = UNION (M X F) FIG.602/1002/1502

MODEL:- PSSSJ - 40MF

SIZE	P (MM)	P (INCH)	X1 (MM)	X1 (INCH)	X2 (MM)	X2 (INCH)	WT. (LBSF)	WT. (KGF)
1"	108	4.25	153	6.02	118	4.65	11.7	5.3
1 1/2"	110	4.33	165	6.50	121	4.75	17.2	7.8
2"	152	5.98	198	7.80	150	5.90	37.5	17.0
2 1/2"	195	7.67	233	9.17	182	7.16	54.2	24.6
3"	202	7.95	271	10.67	220	8.66	80.4	36.5
4"	260	10.23	306	12.05	252	9.92	128.7	58.4