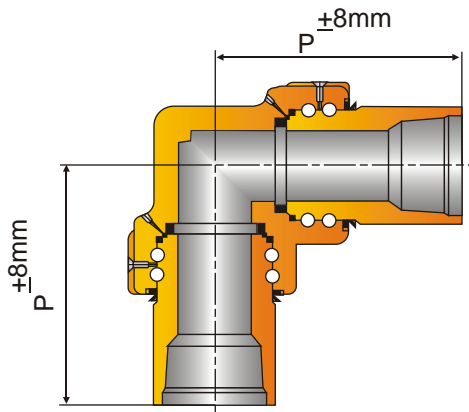


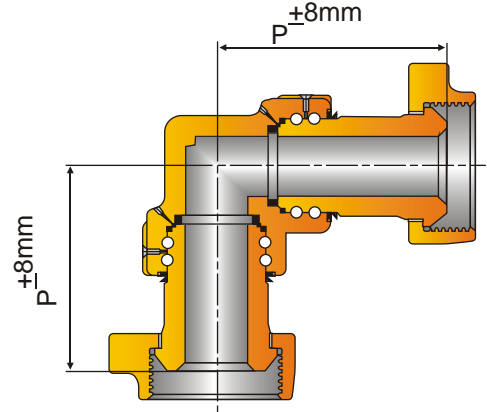


SHORT SWEEP SWIVEL JOINT (BASIC DIMENSIONS) STYLE-60



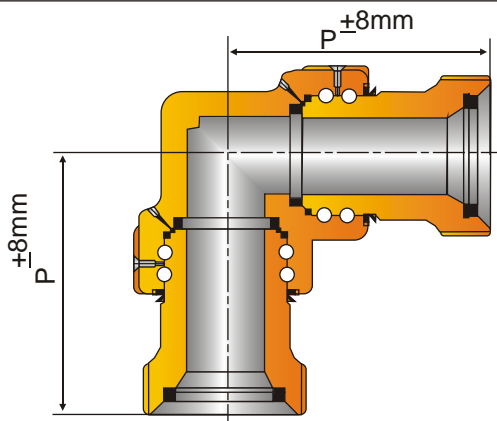
STYLE - 60 SHORT SWEEP SWIVEL JOINT
 END CONNECTION = LP THREAD
 MODEL:- PSSSJ - 60T

SIZE	P (MM)	P (INCH)	WT. (LBSF)	WT. (KGF)
1"	118	4.65	7.45	3.38
1 1/2"	121	4.75	10.36	4.70
2	150	5.90	23.15	10.50
2 1/2"	182	7.16	30.86	14.0
3"	220	8.66	60.6	27.5
4"	252	9.92	80.0	36.3



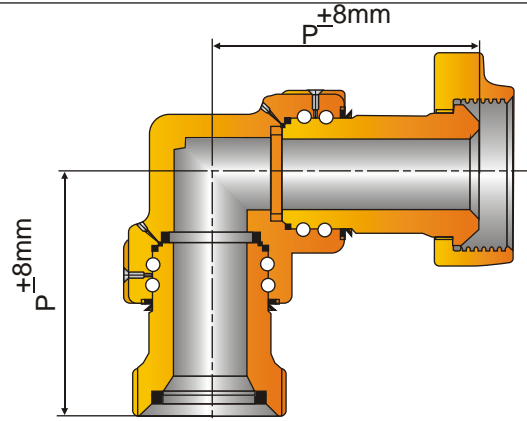
STYLE - 60 SHORT SWEEP SWIVEL JOINT
 END CONNECTION = UNION (M X M) FIG.602/1002/1502
 MODEL:- PSSSJ - 60MM

SIZE	P (MM)	P (INCH)	WT. (LBSF)	WT. (KGF)
1"	118	4.65	11.80	5.35
1 1/2"	121	4.75	21.60	9.80
2	150	5.90	42.00	19.0
2 1/2"	182	7.16	48.30	21.9
3"	220	8.66	82.45	37.4
4"	252	9.92	109.34	49.6



STYLE - 60 SHORT SWEEP SWIVEL JOINT
 END CONNECTION = UNION (F X F) FIG.602/1002/1502
 MODEL:- PSSSJ - 60FF

SIZE	P (MM)	P (INCH)	WT. (LBSF)	WT. (KGF)
1"	118	4.65	10.4	4.7
1 1/2"	121	4.75	13.2	6.0
2	150	5.90	25.3	11.5
2 1/2"	182	7.16	39.0	17.5
3"	220	8.66	70.5	32.0
4"	252	9.92	90.4	41.0



STYLE - 60 SHORT SWEEP SWIVEL JOINT
 END CONNECTION = UNION (M X F) FIG.602/1002/1502
 MODEL:- PSSSJ - 60MF

SIZE	P (MM)	P (INCH)	WT. (LBSF)	WT. (KGF)
1"	118	4.65	11.0	5.0
1 1/2"	121	4.75	18.0	8.0
2	150	5.90	42.76	19.4
2 1/2"	182	7.16	43.00	19.7
3"	220	8.66	76.5	34.7
4"	252	9.92	100.0	45.3