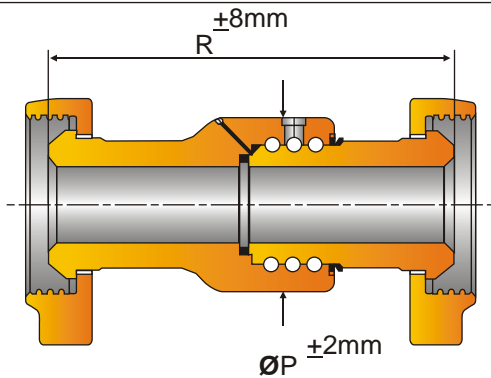




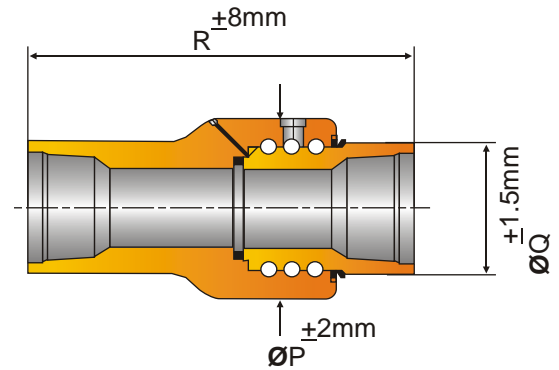
## LONG SWEEP SWIVEL JOINT (BASIC DIMENSIONS) STYLE-20



**STYLE - 20 LONG SWEEP SWIVEL JOINT**  
 END CONNECTION = UNION (M X M) FIG.602/1002/1502\*  
 MODEL:- PLSSJ - 20MM

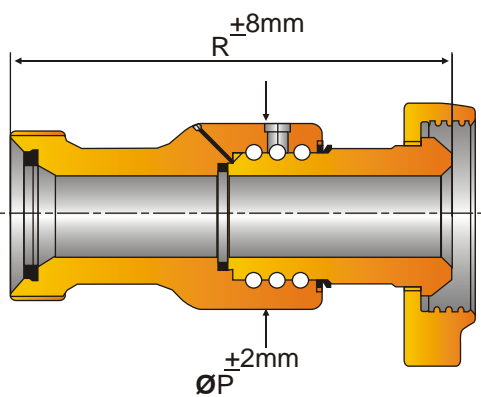
SIZE	ØP (MM)	ØP (INCH)	R (MM)	R (INCH)	WT. (LBSF)	WT. (KGF)
1"	65	2.41	239	9.40	16.75	7.6
1 1/2"	108	4.25	287	11.30	42.5	19.3
2"	108	4.25	287	11.30	44.5	20.2
3"	148	5.82	320	12.60	77.1	35.0
4"	185	7.28	365	14.37	172.6	78.3

\* FOR 2002 /2202 UNION ENDS CONSULT FACTORY



**STYLE - 20 LONG SWEEP SWIVEL JOINT**  
 END CONNECTION = THREADED  
 MODEL:- PLSSJ - 20T

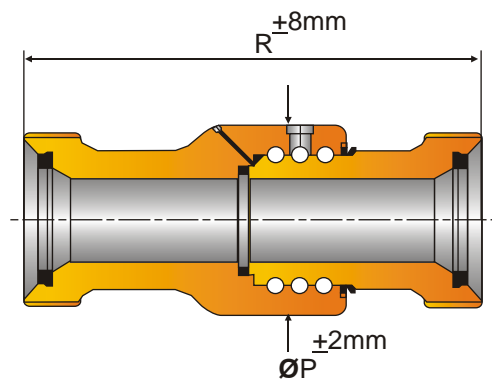
SIZE	ØP (MM)	ØP (INCH)	ØQ (MM)	ØQ (INCH)	R (MM)	R (INCH)	WT. (LBSF)	WT. (KGF)
1"	65	2.41	48.5	1.91	207	8.15	6.5	2.95
1 1/2"	108	4.25	82.0	3.22	232	9.13	17.6	8.00
2"	108	4.25	82.0	3.22	240	9.45	17.9	8.12
3"	148	5.82	108.0	4.25	280	11.02	40.9	18.55
4"	185	7.28	127.0	5.00	315	12.40	69.0	31.33



**STYLE - 20 LONG SWEEP SWIVEL JOINT**  
 END CONNECTION = UNION (M X F) FIG.602/1002/1502\*  
 MODEL:- PLSSJ - 20MF

SIZE	ØP (MM)	ØP (INCH)	R (MM)	R (INCH)	WT. (LBSF)	WT. (KGF)
1"	65	2.41	239	9.40	14.0	6.4
1 1/2"	108	4.25	287	11.30	35.0	16.0
2"	108	4.25	287	11.30	35.3	16.1
3"	148	5.82	320	12.60	66.1	30.0
4"	185	7.28	365	14.37	128.0	58.0

\* FOR 2002 /2202 UNION ENDS CONSULT FACTORY



**STYLE - 20 LONG SWEEP SWIVEL JOINT**  
 END CONNECTION = UNION (F X F) FIG.602/1002/1502\*  
 MODEL:- PLSSJ - 20FF

SIZE	ØP (MM)	ØP (INCH)	R (MM)	R (INCH)	WT. (LBSF)	WT. (KGF)
1"	65	2.41	239	9.40	10.0	4.5
1 1/2"	108	4.25	287	11.30	23.8	10.8
2"	108	4.25	287	11.30	24.2	11.0
3"	148	5.82	320	12.60	53.0	24.0
4"	185	7.28	365	14.37	84.0	38.0

\* FOR 2002 /2202 UNION ENDS CONSULT FACTORY