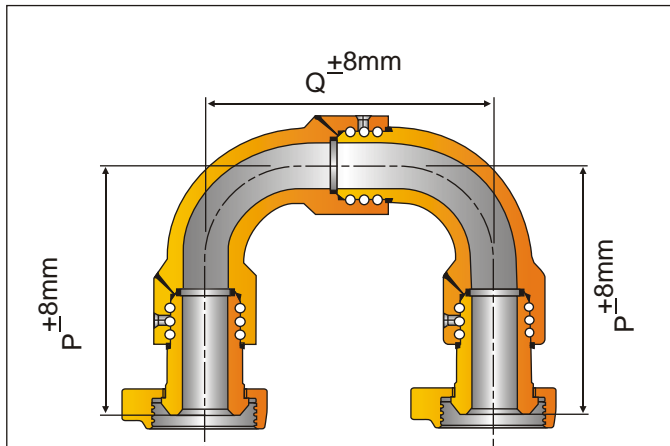




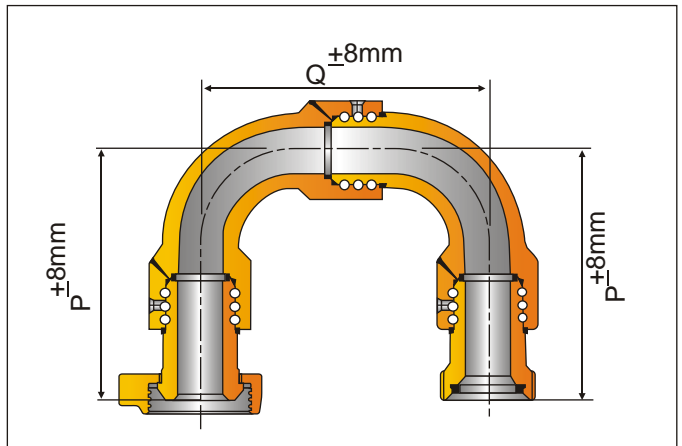
LONG SWEEP SWIVEL JOINT (BASIC DIMENSIONS) STYLE-10



STYLE - 10 LONG SWEEP SWIVEL JOINT
 END CONNECTION = UNION (M X M) FIG.602/1002/1502*
 MODEL:- PLSSJ - 10MM

SIZE	P (MM)	P (INCH)	Q (MM)	Q (INCH)	WT. (LBSF)	WT. (KGF)
1"	214	8.42	188	7.40	29.0	13.0
1 1/2"	259	10.19	239	9.40	84.0	38.0
2"	277	10.90	272	10.70	88.0	40.0
3"	369	14.52	417	16.42	187.0	85.0
4"	452	17.80	539	21.22	397.0	180.0

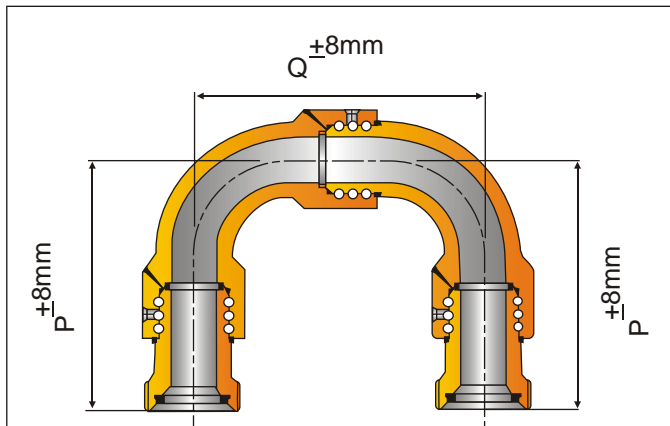
* FOR 2002 /2202 UNION ENDS CONSULT FACTORY



STYLE - 10 LONG SWEEP SWIVEL JOINT
 END CONNECTION = UNION (M X F) FIG.602/1002/1502*
 MODEL:- PLSSJ - 10MF

SIZE	P (MM)	P (INCH)	Q (MM)	Q (INCH)	WT. (LBSF)	WT. (KGF)
1"	214	8.42	188	7.40	24.2	11.0
1 1/2"	259	10.19	239	9.40	73.0	33.0
2"	277	10.90	272	10.70	77.0	35.0
3"	369	14.52	417	16.42	175.0	79.5
4"	452	17.80	539	21.22	354.0	160.5

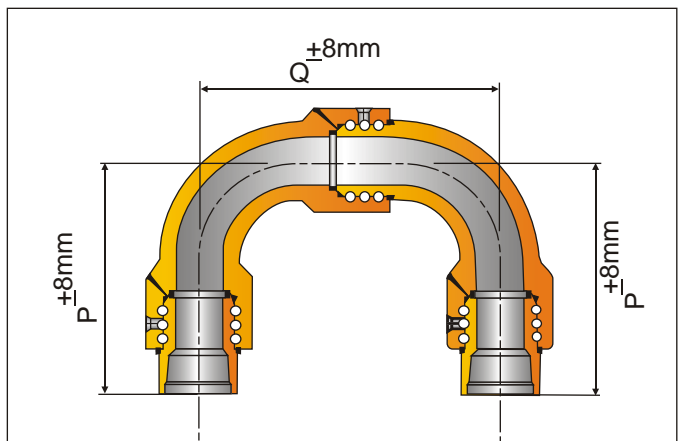
* FOR 2002 /2202 UNION ENDS CONSULT FACTORY



STYLE - 10 LONG SWEEP SWIVEL JOINT
 END CONNECTION = UNION (F X F) FIG.602/1002/1502*
 MODEL:- PLSSJ - 10FF

SIZE	P (MM)	P (INCH)	Q (MM)	Q (INCH)	WT. (LBSF)	WT. (KGF)
1"	214	8.42	188	7.40	29.0	13.0
1 1/2"	259	10.19	239	9.40	84.0	38.0
2"	277	10.90	272	10.70	88.0	40.0
3"	369	14.52	417	16.42	189.0	86.0
4"	452	17.80	539	21.22	388.0	176.0

* FOR 2002 /2202 UNION ENDS CONSULT FACTORY



STYLE - 10 LONG SWEEP SWIVEL JOINT
 END CONNECTION = THREADED
 MODEL:- PLSSJ - 10T

SIZE	P (MM)	P (INCH)	Q (MM)	Q (INCH)	WT. (LBSF)	WT. (KGF)
1"	182	7.16	188	7.40	16.3	7.4
1 1/2"	204	8.03	239	9.40	55.1	25.0
2"	230	9.06	272	10.70	57.3	26.5
3"	328	12.91	417	16.42	148.0	67.0
4"	403	15.86	539	21.22	287.0	130.4