



INTRODUCTION

PARVEEN is an Indian leader for many years in the manufacture of various types of Flanges and Pipe Fittings required by the oilfield, petrochemical and different process industries.

Our name is synonymous with high quality manufacture, precision machining and unparalleled dedication to quality excellence which has kept us in the fore front of oil industry.

Flanges / Boltings / Gaskets / Flanged Fittings

Flanges

PARVEEN manufactures all types of Forged Flanges such as Weldneck, Slip-on, Socket Weld, Threaded, Lapped and Blind as per ANSI B-16.5 & ASA B-16.5 covering sizes from 1/2" to 24", pressure ratings from class 150 to 2500 and temperature rating -20° F to 1500°. Studs, Nuts and Gaskets for these Flanges are also provided.

Flanges to API specifications 6A such as 6B and 6BX (Threaded, Weldneck, Blind, Test, Integral, Adapter & Companion Flanges) for any size & pressure rating from 2000 PSI to 20000 PSI can be catered for. Large dia flanges to API 605 from size NPS 26" to 48" and ratings 150 to 900 are also manufactured and supplied. Slipon and Weld neck Flanges as per BS 3293 of class 150, 300, 400, 600 from size NPS 26" to 48" can also be manufactured. Ring Joint Gaskets and Grooves are provided as per ASME B 16.20, ANSI B 16.5 & API-6A.

Orifice flanges/meter runs as per ANSI B-16.36, API 2530 and AGA-3 specifications with orifice plates can also be provided for any class and size. Flanges to other standards such as BIS, BS, DIN, ISO, JIS, can also be manufactured to meet customer's requirements.

Studs & Nuts

PARVEEN manufactures Studs & Nuts to API 6A & ANSI B 16.5 in various materials and sizes.

Gaskets

PARVEEN manufactures Ring Joint Gaskets in all sizes and materials to ASME B 16. 20 & API6A.

Flanged Fittings

Flanged, Studded Crosses and Tees from sizes 1.13/16" to 4.1/16" and for pressure ratings from 2000 PSI to 20000 PSI are manufactured and supplied.

Pipe Fittings (Butt welded)

PARVEEN manufactures Pipe Fittings Butt-Welded such as Elbows, Returns, Tees, Reducers etc. as per ASME B-16.9. The Butt -Welded Ends are prepared as per ANSI B-16.25.

Forged Socket Welded & Threaded Fittings

Forged, Socket Welded & Threaded Fittings can also be supplied to specifications ASME B-16.11 in pressure ratings of 2000, 3000 & 6000 PSI.

Steel Pipe Fittings, Screwed and Socket Welded Fittings as per BS 3799 for pressure rating of 3000 PSI and 6000 PSI and as per IS:1239, Bends to BS 534 & IS:1239 are also manufactured and supplied.

Seamless Pipes

PARVEEN can also supply Line Pipes as per AP 5L, Seamless Tubings and Casings as per API 5CT and also Pipes as per ASTM standard in Carbon Steel, Alloy Steel and Stainless Steel.

Specially Forged Products

Following forged products can also be supplied in machined / un-machined condition:

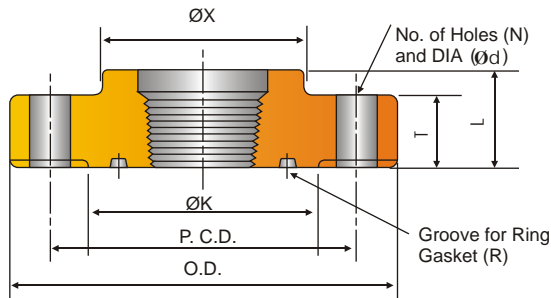
- A. Any closed die forging to single piece weight upto 200 Kg. and open forging to single piece weight upto 2000 Kg.
- B. Forgings for Oilfield Products, Automobile Products, Piping Products, products for Nuclear Applications and Special Engineering Products.

Material

Above items can be supplied in Carbon Steel, Low Alloy Steel, Alloy Steel, Super Alloys as 17-4 PH, MONEL, INCONEL etc., meeting any International Standards e.g. ASTM, API, BIS, JIS, DIN, AISI, ISO, BS & IS etc.

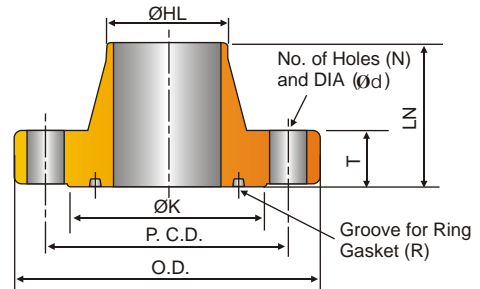


FLANGES



Threaded Flange

(Fig. 1)



Weld Neck Flange

(Fig. 2)

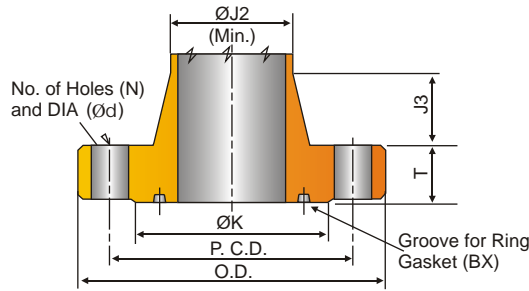
1 THREADED FLANGES & WELD NECK FLANGES. (AS PER API - 6A)

*All dimensions are in inches.

(1-1.) PRESSURE RATING:- API 6B-2000 PSI W.P. (WITH R OR RX TYPE RING GASKET)												
SIZE	O.D	T	ØK	P. C.D.	N	Ød	L	ØX	LN	ØHL	R/RX	
2 1/16	6.50	1.31	4.25	5	8	0.75	1.75	3.31	3.19	2.38	23	
2 9/16	7.50	1.44	5	5.88	8	0.88	1.94	3.94	3.44	2.88	26	
3 1/8	8.25	1.56	5.75	6.62	8	0.88	2.12	4.62	3.56	3.50	31	
4 1/16	10.75	1.81	6.88	8.50	8	1.00	2.44	6.00	4.31	4.50	37	
5 1/8	13	2.06	8.25	10.50	8	1.12	2.69	7.44	4.81	5.56	41	
7 1/16	14	2.19	9.5	11.50	12	1.12	2.94	8.75	4.94	6.63	45	
9	16.5	2.50	11.88	13.75	12	1.25	3.31	10.75	5.56	8.63	49	
11	20	2.81	14	17	16	1.38	3.69	13.50	6.31	10.75	53	
13 5/8	22	2.94	16.25	19.25	20	1.38	3.94	15.75			57	
16 3/4	27	3.31	20	23.75	20	1.62	4.50	19.50			65	
21 1/4	32	3.88	25	28.50	24	1.75	5.38	24.00			73	
(1-2.) PRESSURE RATING:- API 6B-3000 PSI W.P. (WITH R OR RX TYPE RING GASKET)												
SIZE	O.D	T	ØK	P. C.D.	N	Ød	L	ØX	LN	ØHL	R/RX	
2 1/16	8.50	1.81	4.88	6.50	8	1.00	2.56	4.12	4.31	2.38	24	
2 9/16	9.62	1.94	5.38	7.50	8	1.12	2.81	4.88	4.44	2.88	27	
3 1/8	9.50	1.81	6.12	7.50	8	1.00	2.44	5.00	4.31	3.50	31	
4 1/16	11.50	2.06	7.12	9.25	8	1.25	3.06	6.25	4.81	4.50	37	
5 1/8	13.75	2.31	8.50	11.0	8	1.38	3.44	7.50	5.31	5.56	41	
7 1/16	15.00	2.50	9.50	12.50	12	1.25	3.69	9.25	5.81	6.63	45	
9	18.50	2.81	12.12	15.50	12	1.50	4.31	11.75	6.69	8.63	49	
11	21.50	3.06	14.25	18.50	16	1.50	4.56	14.50	7.56	10.75	53	
13 5/8	24.00	3.44	16.50	21.00	20	1.50	4.94	16.50			57	
16 3/4	27.75	3.94	20.62	24.25	20	1.75	5.06	20.00			66	
21 1/4	33.75	4.75	25.50	29.25	20	2.12	6.75	24.50			74	
(1-3.) PRESSURE RATING:- API 6B-5000 PSI W.P. (WITH R OR RX TYPE RING GASKET)												
SIZE	O.D	T	ØK	P. C.D.	N	Ød	L	ØX	LN	ØHL	R/RX	
2 1/16	8.50	1.81	4.88	6.50	8	1.00	2.56	4.12	4.31	2.38	24	
2 9/16	9.62	1.94	5.38	7.50	8	1.12	2.81	4.88	4.44	2.88	27	
3 1/8	10.50	2.19	6.62	8.00	8	1.25	3.19	5.25	4.94	3.50	35	
4 1/16	12.25	2.44	7.62	9.50	8	1.38	3.88	6.38	5.19	4.50	39	
5 1/8	14.75	3.19	9.00	11.50	8	1.62	4.44	7.75	6.44	5.56	44	
7 1/16	15.50	3.62	9.75	12.50	12	1.50	5.06	9.00	7.13	6.63	46	
9	19	4.06	12.50	15.50	12	1.75	6.06	11.50	8.81	8.63	50	
11	23	4.69	14.63	19.00	12	2.00	6.69	14.50	10.44	10.75	54	



FLANGES



Integral Flange

(Fig. 3)

2 INTEGRAL FLANGES. (AS PER API - 6A)

*All dimensions are in inches.

(2-1.) PRESSURE RATING:- API 6BX-2000 PSI W.P. (WITH BX TYPE RING GASKET)									
SIZE	O.D	T	ØK	P. C.D.	N	Ød	ØJ2	J3	BX
26 3/4	41.00	4.97	31.69	37.50	20	1.88	29.25	7.31	167
30	44.19	5.28	35.75	40.94	32	1.75	32.80	7.75	303
(2-2.) PRESSURE RATING:- API 6BX-3000 PSI W.P. (WITH BX TYPE RING GASKET)									
26 3/4	43.38	6.34	32.75	39.38	24	2.12	30.56	7.31	168
30	46.68	6.58	36.31	42.94	32	2.00	34.30	7.75	303
(2-3.) PRESSURE RATING:- API 6BX-5000 PSI W.P. (WITH BX TYPE RING GASKET)									
13 5/8	26.50	4.44	18.00	23.25	16	1.75	16.69	4.50	160
16 3/4	30.38	5.13	21.06	26.62	16	2.00	20.75	3.00	162
18 3/4	35.62	6.53	24.69	31.82	20	2.12	23.56	6.00	163
21 1/4	39.00	7.12	27.62	34.88	24	2.12	26.75	6.50	165
(2-4.) PRESSURE RATING:- API 6BX-10000 PSI W.P. (WITH BX TYPE RING GASKET)									
1 13/16	7.38	1.66	4.12	5.75	8	0.88	2.56	1.91	151
2 1/16	7.88	1.73	4.38	6.25	8	0.88	2.94	2.03	152
2 9/16	9.12	2.02	5.19	7.25	8	1.00	3.62	2.25	153
3 1/16	10.62	2.30	6.00	8.50	8	1.12	4.34	2.50	154
4 1/16	12.44	2.77	7.28	10.19	8	1.25	5.75	2.88	155
5 1/8	14.06	3.12	8.69	11.81	12	1.25	7.19	3.19	169
7 1/16	18.88	4.06	11.88	15.88	12	1.62	10.00	3.75	156
9	21.75	4.88	14.12	18.75	16	1.62	12.88	3.69	157
11	25.75	5.56	16.88	22.25	16	1.88	15.75	4.06	158
13 5/8	30.25	6.62	20.38	26.50	20	2.00	19.50	4.50	159
16 3/4	34.31	6.62	22.69	30.56	24	2.00	23.66	3.00	162
18 3/4	40.94	8.78	27.44	36.44	24	2.38	26.59	6.12	164
21 1/4	45	9.50	30.75	40.25	24	2.62	30.00	6.50	166
(2-5.) PRESSURE RATING:- API 6BX-15000 PSI W.P. (WITH BX TYPE RING GASKET)									
1 13/16	8.19	1.78	4.19	6.31	8	1.00	2.81	1.88	151
2 1/16	8.75	2.00	4.50	6.88	8	1.00	3.25	2.12	152
2 9/16	10.00	2.25	5.25	7.88	8	1.12	3.94	2.25	153
3 1/16	11.31	2.53	6.06	9.06	8	1.25	4.81	2.50	154
4 1/16	14.19	3.09	7.62	11.44	8	1.50	6.25	2.88	155
7 1/16	19.88	4.69	12.00	16.88	16	1.62	10.88	2.62	156
9	25.50	5.75	15.00	21.75	16	2.00	13.75	4.88	157
11	32.00	7.38	17.88	28.00	20	2.12	16.81	9.28	158
13 5/8	34.88	8.06	21.31	30.38	20	2.38	20.81	4.50	159
18 3/4	45.75	10.06	28.44	40.00	20	3.12	28.75	6.12	164



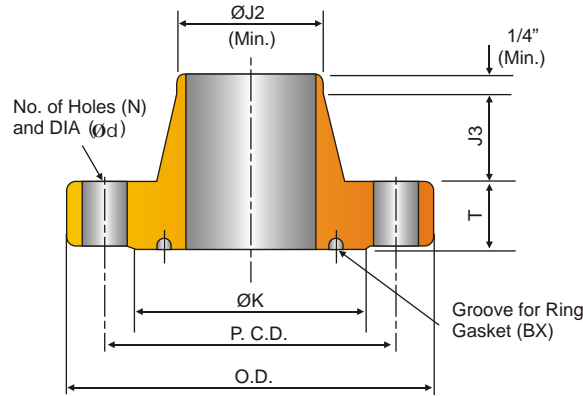
FLANGES

2 INTEGRAL FLANGES. (AS PER API - 6A)

*All dimensions are in inches.

(2-6.) PRESSURE RATING:- API 6BX-20000 PSI W.P. (WITH BX TYPE RING GASKET)

SIZE	O.D	T	ØK	P. C.D.	N	Ød	ØJ2	J3	BX
1 13/16	10.12	2.5	4.62	8.00	8	1.12	4.31	1.94	151
2 1/16	11.31	2.81	5.19	9.06	8	1.25	5.00	2.06	152
2 9/16	12.81	3.12	5.94	10.31	8	1.38	5.69	2.31	153
3 1/16	14.06	3.38	6.75	11.31	8	1.50	6.31	2.50	154
4 1/16	17.56	4.19	8.62	14.06	8	1.88	8.12	2.88	155
7 1/16	25.81	6.50	13.88	21.81	16	2.12	13.31	3.81	156
9	31.69	8.06	17.38	27.00	16	2.62	16.88	4.25	157
11	34.75	8.81	19.88	29.50	16	2.88	20.00	4.06	158
13 5/8	45.75	11.50	24.19	40.00	20	3.12	24.75	5.25	159



Weld Neck Flange
(Fig. 4)

3 WELD NECK FLANGES. (AS PER API - 6A)

*All dimensions are in inches.

(3-1.) PRESSURE RATING:- API 6BX-10000 PSI W.P. (WITH BX TYPE RING GASKET)

SIZE	O.D	T	ØK	P. C.D.	N	Ød	ØJ2	J3	BX
1 13/16	7.38	1.66	4.12	5.75	8	0.88	2.56	1.91	151
2 1/16	7.88	1.73	4.38	6.25	8	0.88	2.94	2.03	152
2 9/16	9.12	2.02	5.19	7.25	8	1.00	3.62	2.25	153
3 1/16	10.62	2.30	6.00	8.50	8	1.12	4.34	2.50	154
4 1/16	12.44	2.77	7.28	10.19	8	1.25	5.75	2.88	155
5 1/8	14.06	3.13	8.69	11.81	12	1.25	7.19	3.19	169
7 1/16	18.88	4.06	11.88	15.88	12	1.62	10.00	3.75	156
9	21.75	4.88	14.12	18.75	16	1.62	12.88	3.69	157
11	25.75	5.56	16.88	22.25	16	1.88	15.75	4.06	158
13 5/8	30.25	6.62	20.38	26.50	20	2.00	19.50	4.50	159
16 3/4	34.31	6.62	22.69	30.56	24	2.00	23.69	3.00	162

(3-2.) PRESSURE RATING:- API 6BX-15000 PSI W.P. (WITH BX TYPE RING GASKET)

1 13/16	8.19	1.78	4.19	6.31	8	1.00	2.81	1.88	151
2 1/16	8.75	2.00	4.50	6.88	8	1.00	3.25	2.12	152
2 9/16	10.00	2.25	5.25	7.88	8	1.12	3.94	2.25	153
3 1/16	11.31	2.53	6.06	9.06	8	1.25	4.81	2.50	154
4 1/16	14.19	3.09	7.62	11.44	8	1.50	6.25	2.88	155
7 1/16	19.88	4.69	12.00	16.88	16	1.62	10.88	3.62	156

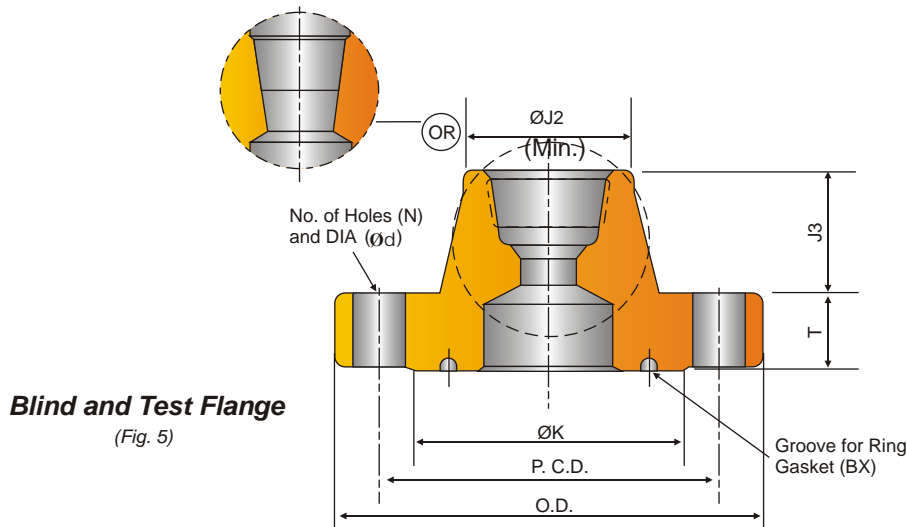


FLANGES

3 WELD NECK FLANGES. (AS PER API - 6A)

*All dimensions are in inches.

(3-3.) PRESSURE RATING:- API 6BX-20000 PSI W.P. (WITH BX TYPE RING GASKET)									
SIZE	O.D	T	ØK	P. C.D	N	Ød	ØJ2	J3	BX
1 13 /16	10.12	2.5	4.62	8.00	8	1.12	4.31	1.94	151
2 1 /16	11.31	2.81	5.19	9.06	8	1.25	5.00	2.06	152
2 9 /16	12.81	3.12	5.94	10.31	8	1.38	5.69	2.31	153
3 1 /16	14.06	3.38	6.75	11.31	8	1.50	6.31	2.50	154
4 1 /16	17.56	4.19	8.62	14.06	8	1.88	8.12	2.88	155
7 1 /16	25.81	6.50	13.88	21.81	16	2.12	13.31	3.81	156



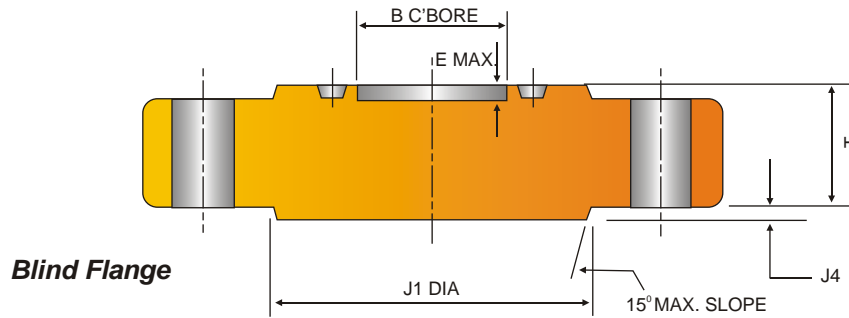
4 BLIND AND TEST FLANGES. (AS PER API - 6A)

*All dimensions are in inches.

(4-1.) PRESSURE RATING:- API 6BX-10000 PSI W.P. (WITH BX TYPE RING GASKET)									
SIZE	O.D	T	ØK	P. C.D	N	Ød	ØJ2	J3	BX
1 13 /16	7.38	1.66	4.12	5.75	8	0.88	2.56	1.91	151
2 1 /16	7.88	1.73	4.38	6.25	8	0.88	2.94	2.03	152
2 9 /16	9.12	2.02	5.19	7.25	8	1.00	3.62	2.25	153
3 1 /16	10.62	2.30	6.00	8.50	8	1.12	4.34	2.50	154
4 1 /16	12.44	2.77	7.28	10.19	8	1.25	5.75	2.88	155
(4-2.) PRESSURE RATING:- API 6BX-15000 PSI W.P. (WITH BX TYPE RING GASKET)									
1 13 /16	8.19	1.78	4.19	6.31	8	1.00	2.81	1.88	151
2 1 /16	8.75	2.00	4.50	6.88	8	1.00	3.25	2.12	152
2 9 /16	10.00	2.25	5.25	7.88	8	1.12	3.94	2.25	153
3 1 /16	11.31	2.53	6.06	9.06	8	1.25	4.81	2.50	154
4 1 /16	14.19	3.09	7.62	11.44	8	1.50	6.25	2.88	155
(4-3.) PRESSURE RATING:- API 6BX-20000 PSI W.P. (WITH BX TYPE RING GASKET)									
1 13 /16	10.12	2.50	4.62	8.00	8	1.12	4.31	1.94	151
2 1 /16	11.31	2.81	5.19	9.06	8	1.25	5.00	2.06	152
2 9 /16	12.81	3.12	5.94	10.31	8	1.38	5.69	2.31	153
3 1 /16	14.06	3.38	6.75	11.31	8	1.50	6.31	2.50	154
4 1 /16	17.56	4.19	8.62	14.06	8	1.88	8.12	2.88	155



FLANGES



5 BLIND FLANGES. (AS PER API - 6A)

*All dimensions are in inches.

(5-1.) PRESSURE RATING:- API 6BX-2000 PSI W.P. (WITH BX TYPE RING GASKET)				
NOMINAL SIZE B	FLANGE THICKNESS T	HUB DIAMETER J1	GROOVE DEPTH E	ADDED HUB THICKNESS, J4
26 3/4	4.97	32.91	0.844	0.38
30	5.28	36.69	0.906	0.69
(5-2.) PRESSURE RATING:- API 6BX-3000 PSI W.P. (WITH BX TYPE RING GASKET)				
26 3/4	6.34	34.25	0.844	0.00
30	6.58	38.19	0.906	0.50
(5-3.) PRESSURE RATING:- API 6BX-5000 PSI W.P. (WITH BX TYPE RING GASKET)				
13 5/8	4.44	18.94	0.562	0.94
16 3/4	5.12	21.88	0.328	0.69
18 3/4	6.53	26.56	0.719	0.75
21 1/4	7.12	29.88	0.75	0.88
(5-4.) PRESSURE RATING:- API 6BX-10000 PSI W.P. (WITH BX TYPE RING GASKET)				
5 1/8	3.12	8.81	0.375	0.25
7 1/16	4.06	11.88	0.438	0.38
9	4.88	14.75	0.500	0.38
11	5.56	17.75	0.562	0.56
13 5/8	6.62	21.75	0.625	0.69
16 3/4	6.62	25.81	0.328	1.19
18 3/4	8.78	29.62	0.719	1.00
21 1/4	9.50	33.38	0.750	1.25
(5-5.) PRESSURE RATING:- API 6BX-15000 PSI W.P. (WITH BX TYPE RING GASKET)				
7 1/16	4.69	12.81	0.438	0.31
9	5.75	17.00	0.500	0.56
11	7.38	23.00	0.562	0.5
13 5/8	8.06	23.44	0.625	0.69
18 3/4	10.06	32.00	0.719	1.38
(5-6.) PRESSURE RATING:- API 6BX-20,000 PSI W.P. (WITH BX TYPE RING GASKET)				
7 1/16	6.5	15.19	0.438	0.31
9	8.06	18.94	0.500	0.25
11	8.81	22.31	0.562	0.5
13 5/8	11.50	27.31	0.625	0.56